

# Category 6 Side Direction Indicator

- Suitable for Vehicle GVM Upgrade
- Low Profile, Compact Design
- Easy Fit with 3M Tape & Plug
- IP67 100% Waterproof
- Voltage Range 9-32 Volt

**Function** Side Direction Indicator

**Voltage** 9-32V

**LED Qty** 3

**Approvals** ECE R6 CAT 6

**Cable** 30cm

**Lens** Polycarbonate

**Base** Polycarbonate

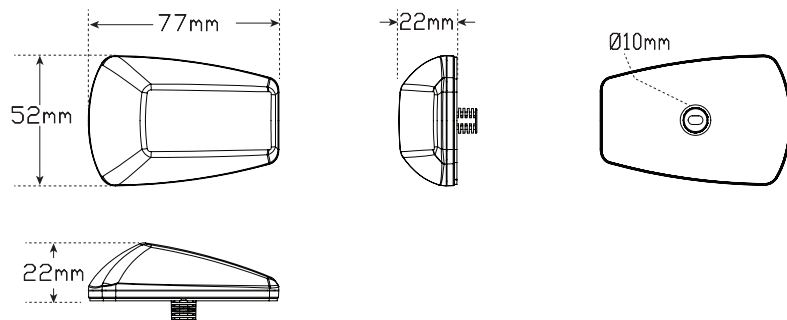
**Draw** @13.8V 0.12A  
@28V 0.08A



Part No. 77AM2  
Amber Lens



Part No. 77ACM2  
Clear Lens



## Fitting Instructions

Left or right hand mountable. Drill 10mm hole into flat surface and mount horizontally to the ground with 3M Tape and serrated plug. LEDs must be facing the rear of the vehicle. Please refer to ADR 13/00 for mounting instructions.



All enquiries P: (03) 9466 7075 E: [led@ledtech.com.au](mailto:led@ledtech.com.au), [www.ledautolamps.com](http://www.ledautolamps.com)

All efforts are made to ensure all information is correct and up to date, it can be subject to change without notice. All measurements are in millimeters (mm) and are not to scale.

© All LED Technologies designs are registered throughout the world. - Current as of 03/10/2018

**ECE**  
Approved

**100%**  
Waterproof

**5 Year**  
Warranty